

APXV3B26B_43-C-I20 APXV3B26B_43-A-I20

Features

- 2 ports / 1 cross pol system in low band (698-960 MHz), 33°
- Integrated and field replaceable SRET
- ACU HW version -2.02
- Optional with Direct Pipe No Tilt mounting hardware (Model name suffix -A-I20)
- Compliant with AISG v2.0 and 3GPP



PRODUCT OVERVIEW	Frequency Range (MHz)	698-960
	Array	■ R1
	Connector	1-2
		2 PORTS
	Polarization	XPOL
	Azimuth Beamwidth (avg)	33°
	Gain	20.9 dBi
	Electrical Downtilt	2-12°
Dimensions	2535 x 585 x 155 mm (99.8 x 23.0 x 6.1 in)	

ORDERING OPTIONS

Select from the following ordering options

ANTENNA MODEL NUMBER	CONFIGURATION	MOUNTING HARDWARE	MOUNTING PIPE DIAMETER	SHIPPING WEIGHT	MOUNTING HARDWARE WEIGHT
APXV3B26B_43-C-I20	ACU-I20-B1 Internal RET Included	APM50-B2 Beam Tilt Kit Included	60-110 mm (2.4-4.3)	50.0 kg (110.2 lbs)	4.5 kg (9.9 lbs)
APXV3B26B_43-A-I20	ACU-I20-B1 Internal RET Included	APM50-B2N Direct Pipe No Tilt Mounting Kit Included	60-110 mm (2.4-4.3)	48.9 kg (107.8 lbs)	3.4 kg (7.5 lbs)



Quoted performance parameters are provided to offer typical, peak or range values only and may vary as a result of normal testing, manufacturing and operational conditions. Extreme operational conditions and/or stress on structural supports is beyond our control. Such conditions may result in damage to this product. Improvements to products may be made without notice.

APXV3B26B_43-C-I20 APXV3B26B_43-A-I20

ELECTRICAL SPECIFICATIONS

■ R1

Frequency Range		MHz	698-960		
		MHz	698-806	790-894	880-960
Polarization		---	±45°		
Gain	Over all Tilts	dBi	18.7 ± 0.5	19.2 ± 0.5	19.9 ± 1.0
	Max Gain	dBi	19.2	19.7	20.9
Azimuth Beamwidth (3 dB)		degrees	36.9° ± 3.0°	32.8° ± 2.0°	31.6° ± 0.5°
Elevation Beamwidth (3 dB)		degrees	8.7° ± 0.5°	7.9° ± 0.5°	7.1° ± 0.5°
Electrical Downtilt		degrees	2-12°		
Impedance		Ohms	50Ω		
VSWR (Return Loss)		---	1.5:1 (-14 dB)		
Passive Intermodulation 3rd Order for 2x20 W Carriers		dBc	-150		
Front-to-Back Ratio, Total Power, ± 30°		dB	26	26	26
First Upper Side Lobe		dB	20	18	18
Cross-Pol Over Sector		dB	6	8	9
Cross Polar Discrimination (XPD) at Mechanical Boresight (0°)		dB	26	23.5	23
Maximum Effective Power Per Port		Watts	350 W		
Cross Polar Isolation		dB	27	27	27

Quoted performance parameters are provided to offer typical, peak or range values only and may vary as a result of normal testing, manufacturing and operational conditions. Extreme operational conditions and/or stress on structural supports is beyond our control. Such conditions may result in damage to this product. Improvements to products may be made without notice.

APXV3B26B_43-C-I20
APXV3B26B_43-A-I20

BOTTOM VIEW - LABELING



ARRAY LAYOUT

ARRAY	FREQUENCY	CONNECTOR	CONNECTOR TYPE	RET	AISG RET UID
■ R1	698-960 MHz	1-2	(2x) 4.3-10 Female	R1	RFxxxxxxxxxx-R1



The illustration is not shown to scale.

Quoted performance parameters are provided to offer typical, peak or range values only and may vary as a result of normal testing, manufacturing and operational conditions. Extreme operational conditions and/or stress on structural supports is beyond our control. Such conditions may result in damage to this product. Improvements to products may be made without notice.

APXV3B26B_43-C-I20

APXV3B26B_43-A-I20

MECHANICAL SPECIFICATIONS

Length	mm (in)	2535 (99.8)
Width	mm (in)	585 (23.0)
Depth	mm (in)	155 (6.1)
Net Weight - Antenna Only	kg (lbs)	39 (86)
Wind Load Rated at 150 km/h (93 mph)	Front	N (lbf) 1594 (358)
	Side	N (lbf) 659 (148)
	Rear	N (lbf) 1068 (240)
Survival Wind Speed / Rated Wind Speed	km/h (mph)	200 (150)
Connector Type	--	(2x) 4.3-10 Female, (2x) AISG Connectors (1 Male, 1 Female) at Bottom
Radome Color	---	Light Grey RAL7035
Radome Material	---	Fiberglass
Lightning Protection	---	Direct Ground
Shipping	Packing Size (Length x Width x Depth)	mm (in) 2800 x 680 x 250 (110.2 x 26.8 x 9.8)

ENVIRONMENTAL SPECIFICATIONS

Environmental Standard	---	ETS 300 019
Operating Temperature	degrees	-40° to +60° C (-40° to +140° F)
Product Environmental Compliance	---	Product is RoHS Compliant

APXV3B26B_43-C-I20

APXV3B26B_43-A-I20

ACCESSORIES Accessories may be ordered separately unless otherwise indicated.

ITEM	MODEL NUMBER	WEIGHT
Beam Tilt Mounting Bracket Kit for Pole Diameter 60-110 mm (2.4-4.3 in) <i>Refer to ordering options</i>	APM50-B2	4.5 kg (9.9 lbs)
Direct Pipe No Tilt Bracket Kit for Pole Diameter 60-110 mm (2.4-4.3 in) <i>Refer to ordering options</i>	APM50-B2N	3.4 kg (7.5 lbs)

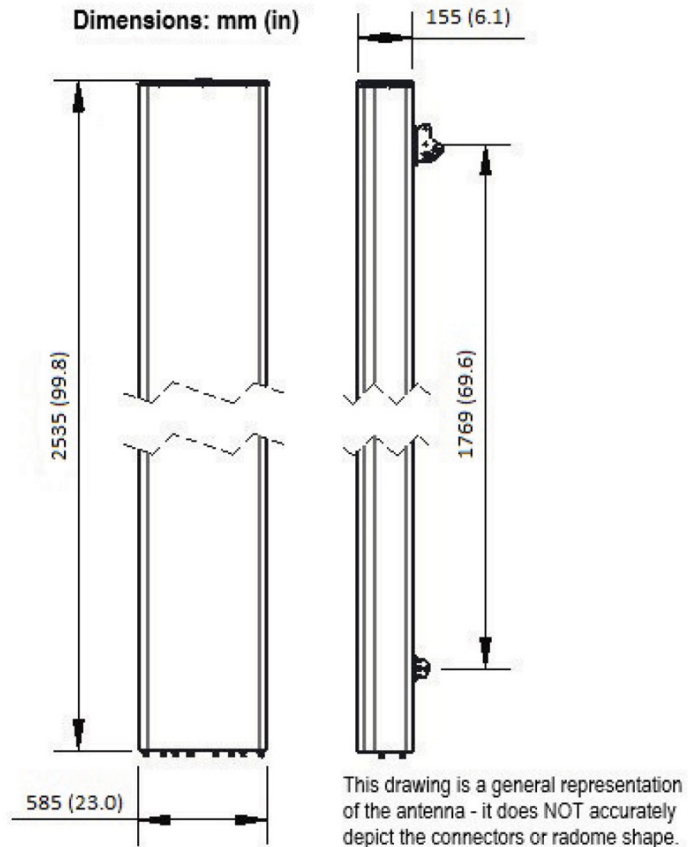
INSTALLATION Please read all installation notes before installing product.



- Always attach the antenna using all mounting points.
- Do not install antenna with the connectors facing upwards.

EXTERNAL DOCUMENT LINKS

[APM50 Mounting Kit Series Installation Instructions](#)



NOTES

Specifications follow BASTA guidelines.

For additional mounting information, please check **External Document Links**.

For Radiating Patterns: [Request pattern files](#)